

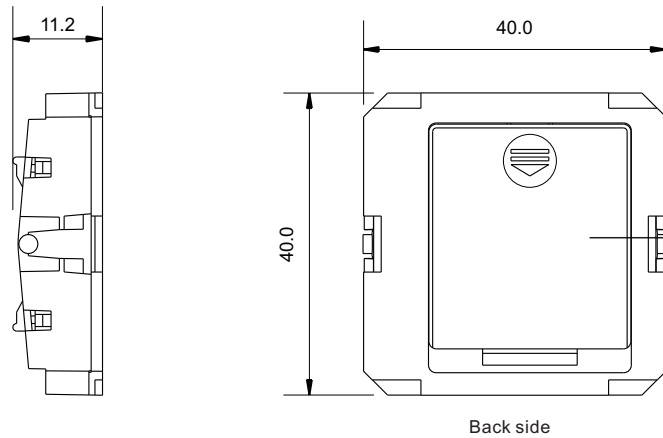
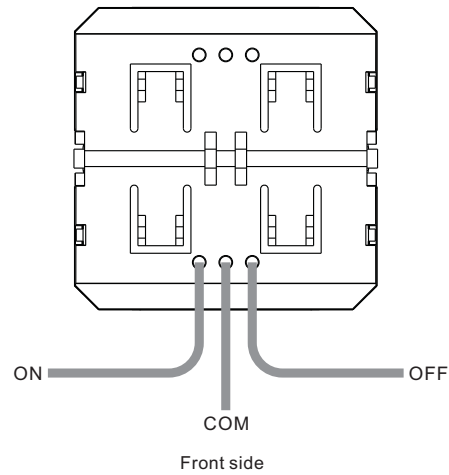
RF Converter Module

09.2801P.04109



Important: Read All Instructions Prior to Installation

Function introduction



Battery: CR2430
Before the first use, please open the battery cover and remove the protective film

Product Data

Output	RF signal
Operation Frequency	868/915/434MHz
Power Supply	3V(1xCR2430 battery)
Operating temperature	0-40°C
Relative humidity	8% to 80%
Dimensions	40x40x11.2mm

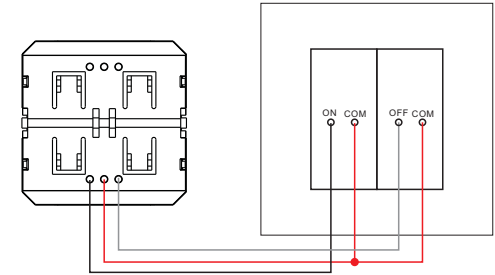
- Convert the push switch to be a RF remote dimmer switch
- Control 1 zone
- Single color controller
- Compatible with all universal series RF receivers
- 1 receiver can be paired by max 8 different remote controls.
- Waterproof grade: IP20

Safety & Warnings

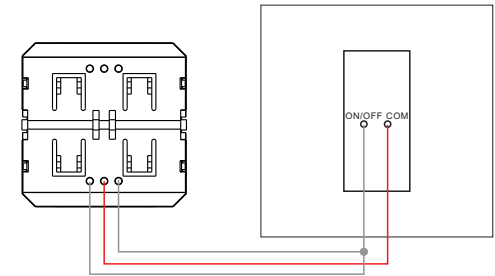
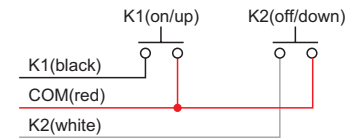
- This device contains a button lithium battery that shall be stored and disposed properly.
- DO NOT expose the device to moisture.

Wiring diagram

With 1 key push switch



With 2 keys push switch



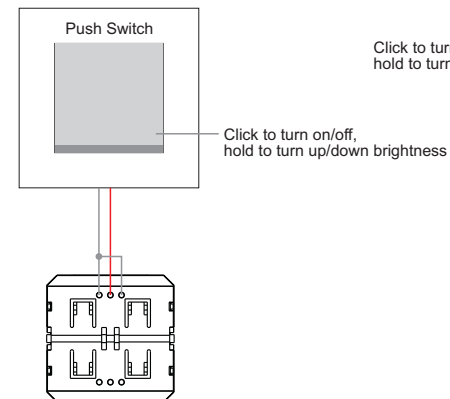
Operation

1. Pair with RF receivers:

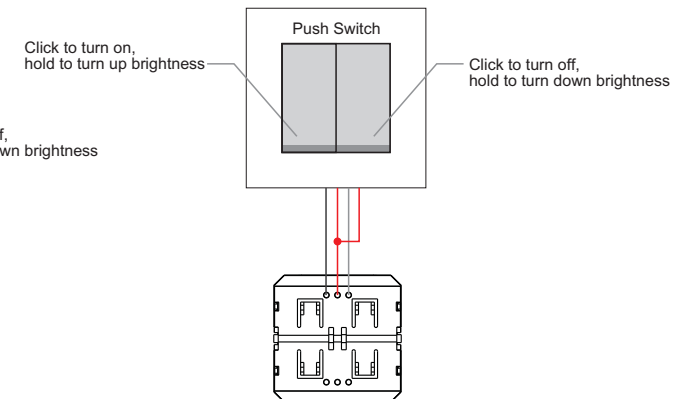
Click "Learning Key" → Click any button of the push switch → LED lights connected with the receiver will flicker once → The receiver is paired with push switch successfully.

2. How to dim with push switch:

1 key version



Double keys version



3. How to delete the pairing:

Press and hold down "Learning Key" on the receiver for over 3 seconds until connected LED lights flicker twice, which means the pairing is deleted successfully.